

INSTRUCTIONS FOR INSTALLING A MOTOR AND CAM FOLLOWER ASSEMBLY REPLACEMENT KIT IN A NATIONAL VENDORS[®], CROWN SEVENTY TWO[®], 21CE ELECTRIC CANDY MERCHANDISER

CHECK THE PARTS RECEIVED IN THE KIT WITH THE PARTS LIST IN THESE INSTRUCTIONS. FIGURE 1 SHOWS ALL THE PARTS IN THE KIT. IF ANY PARTS ARE MISSING, CONTACT NATIONAL VENDORS' PARTS DEPARTMENT IMMEDIATELY.

These instructions cover the procedure for installing a Motor and Cam Follower Assembly Replacement Kit in a Crown Seventy Two, 21CE Electric Candy Merchandiser.

Read these instructions carefully and thoroughly before installing the Kit. Retain these instructions for part number and installation information.

Kit, Motor and Cam Follower Assembly Replacement, part number 127-7017, contains the following parts:

Part Number	Description	Quantity
141-7027	Motor and Cam Follower Assembly	1
140-7013	Follower and Terminal Assembly	1
121-7110	Vend Motor Bracket	1
127-7019	Vend Motor Bracket Screw	1
9900-036	No.10-32 x 9/32 RHS W/LW Screw	2
127-7018	Installation Instructions	1
	* * *	

TO INSTALL THE KIT

A. PARTS REMOVAL

1. Disconnect the Merchandiser Service Cord from the Wall Receptacle.
2. Open the Cabinet Door.
3. Rotate the Tray with the defective Motor and Cam Follower Assembly out of the Cabinet.
4. Remove the Screw which attaches the Harness Clamp. See Figure 2.
5. Remove the Spiral Assembly. See Figure 2.
6. Loosen the two Screws which attach the Motor and Cam Follower Assembly. See Figure 2.

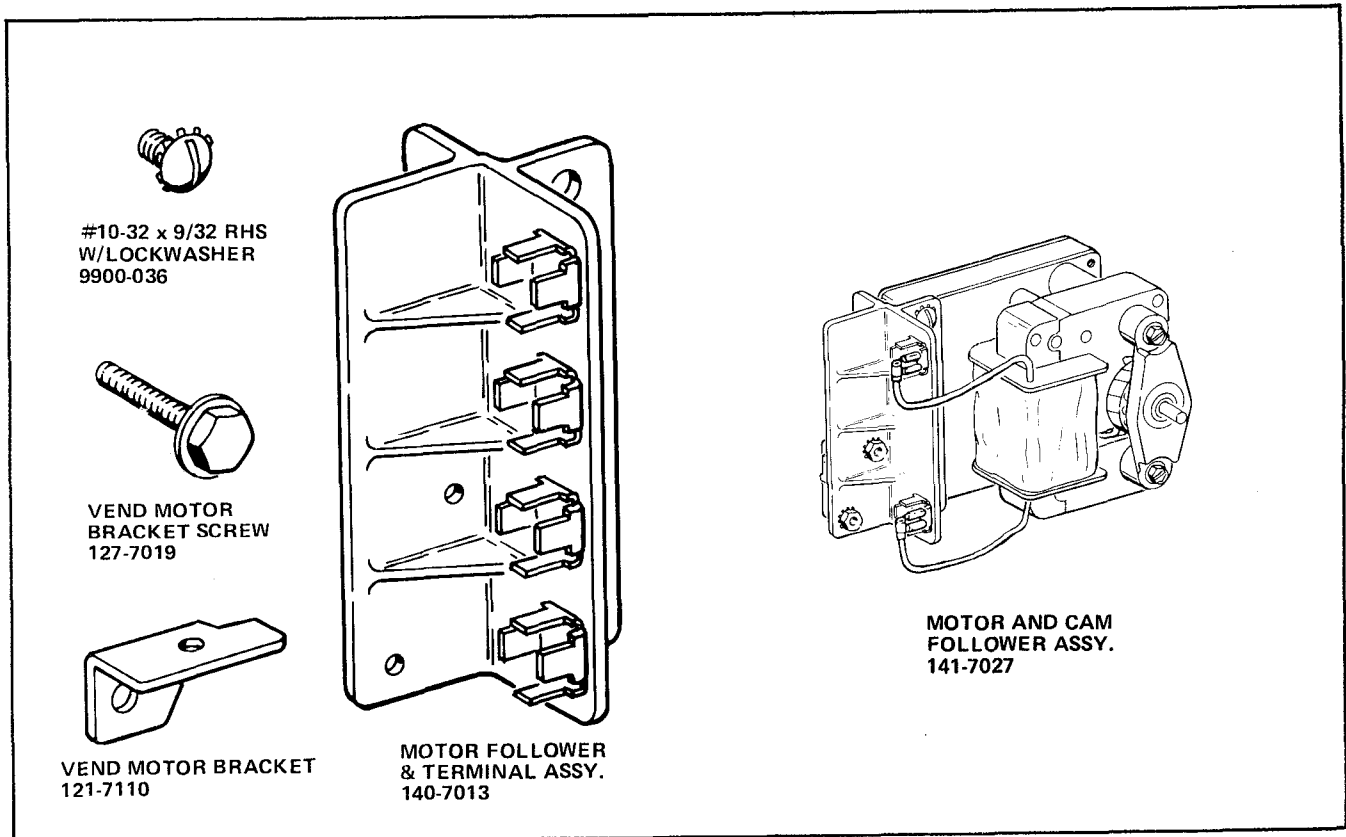


FIGURE 1

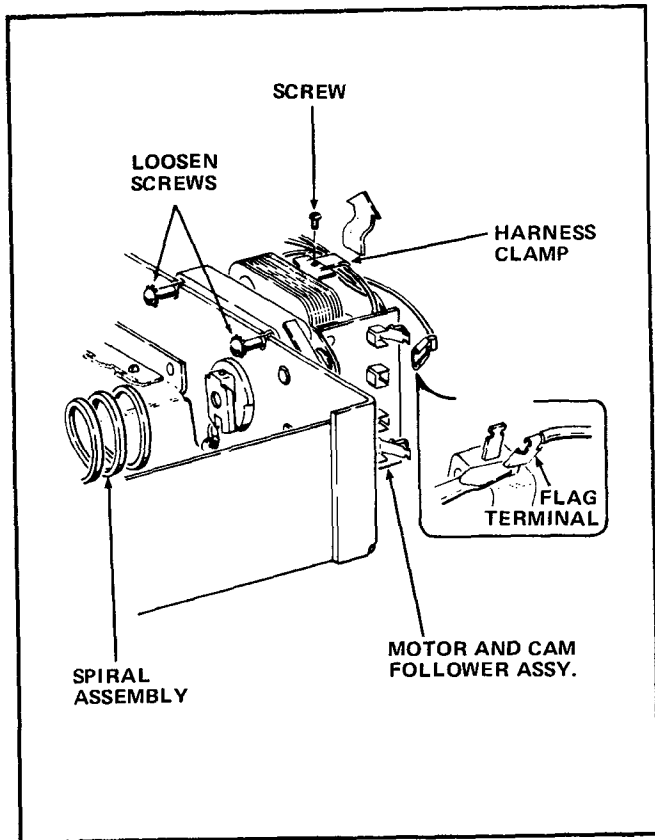


FIGURE 2

7. Lift the Motor and Cam Follower Assembly off the Tray.

NOTE

Before removing the Flag Terminals from the Switch, make a sketch or note to record the color of the wires removed from the NC and COM terminals of the Switch.

8. Removal all Flag Terminals from the Follower and Terminal Assembly and the Switch. Insert a thin-bladed screwdriver beneath the terminal and push or pull with a rocking motion to remove. Spreading the Terminal makes reuse impossible. See Figure 2. Be sure to retain the black jumper wire which connects the NO terminal of the Switch to the Follower and Terminal Assembly.

B. INSTALLATION OF THE KIT

1. Remove the Switch, two attaching Screws and two Nuts from the Motor and Cam Follower Assembly, part number 141-7027, included in the kit. See Figure 3. Be sure to retain the Switch and attaching hardware.
2. Disconnect the Flag Terminals of the two motor lead wires from the terminals of the Follower and Terminal Assembly, as shown in Figure 3.

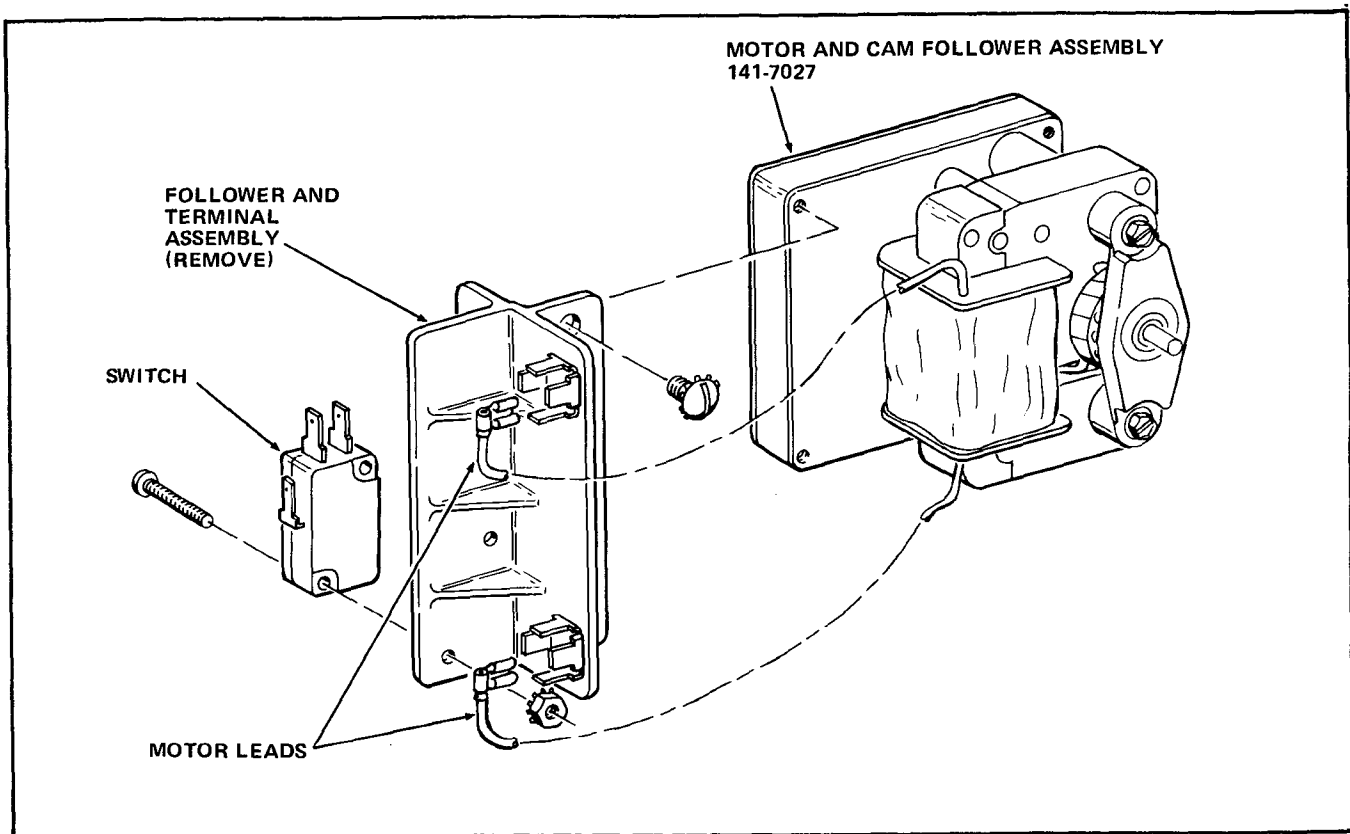


FIGURE 3

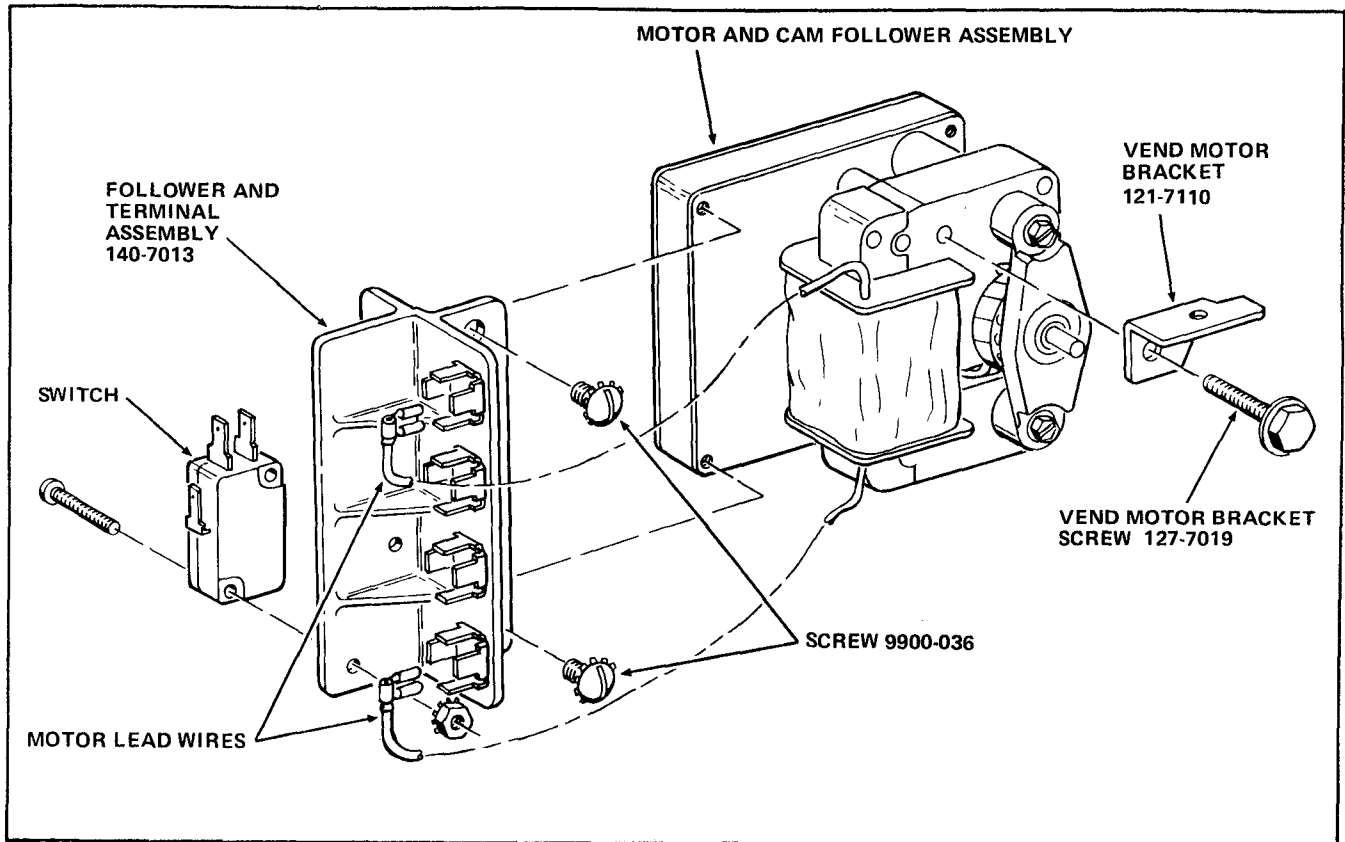


FIGURE 4

3. Remove two attaching Screws and the Follower and Terminal Assembly from the Motor and Cam Follower Assembly. See Figure 3.
4. Attach the Follower and Terminal Assembly, part number 140-7013, which is included in the Kit and has FOUR terminals, to the Gearbox of the Motor and Cam Follower Assembly, using two Screws, part number 9900-036, included in the kit. See Figure 4.
5. Attach the Switch, two Screws and two Nuts, removed in Step B-1, to the Follower and Terminal Assembly installed on the Gearbox in Step B-4. See Figure 4.
6. Connect the two lead wires of the Motor to the follower and Terminal Assembly as shown in Figure 4.
7. Attach the Vend Motor Bracket, part number 121-7110, included in the kit, to the Motor, using the Vend Motor Bracket Screw, part number 127-7019, also included in the kit. See Figure 4.
8. Attach the Harness Clamp and Screw, removed in Step A-4, to the Vend Motor Bracket. See Figure 2.
9. The terminals of the Terminal and Follower Assembly are numbered 1 through 4, top to bottom, in Figure 5. Connect the wires to the four terminals as follows:
 - a. Connect the black jumper wire, removed in Step A-8, to the NO terminal of the Switch and terminal No.1.
 - b. Connect the remaining black wires to terminal No.1.
 - c. Connect the blue wires to terminal No.2.
 - d. Connect the red wires to terminal No.3.
 - e. Connect the white wire to terminal No.4.
10. Connect the two remaining wires to the NC and COM terminals of the Switch. Connect each wire to the same terminal from which it was removed in Step A-8.
11. Position the Motor and Cam Follower Assembly on the Tray and tighten the two attaching Screws. See Figure 2.
12. Install the Spiral Assembly removed in Step A-5. See Figure 2.

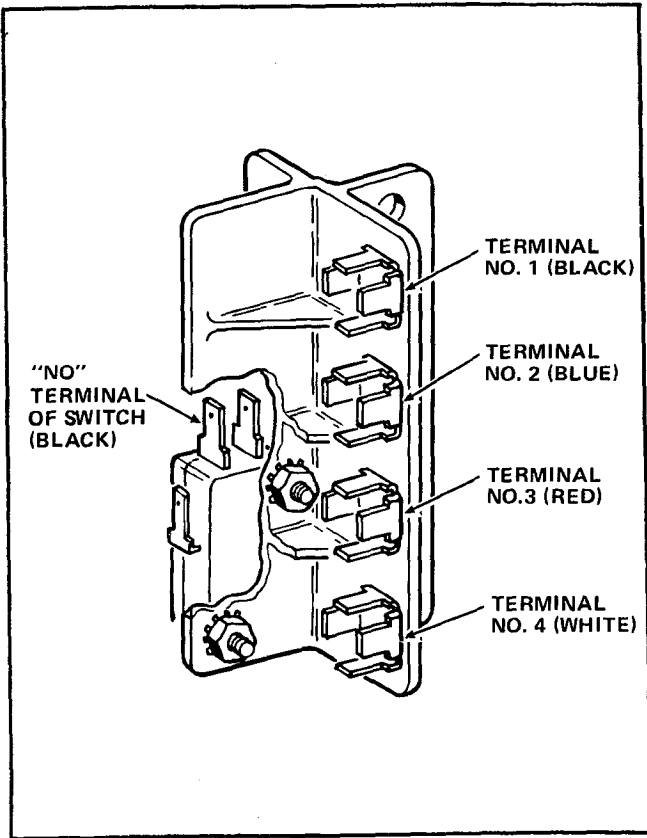


FIGURE 5

13. Swing the Tray into the Cabinet.

14. Close the Cabinet Door.

15. Connect the Merchandiser Service Cord to the Wall Receptacle.

C. CHECK AND ADJUSTMENTS

Test Vend the Merchandiser, pressing the appropriate selection button to check the operation of the newly installed Motor and Cam Follower Assembly.